



Высокоскоростные термопечатающие механизмы FTP-622MCL101, FTP-622MCL102

Технические характеристики

Архангельск (8182)63-90-72	Ижевск (3412)26-03-58	Магнитогорск (3519)55-03-13	Пермь (342)205-81-47	Сургут (3462)77-98-35
Астана (7172)727-132	Иркутск (395)279-98-46	Москва (495)268-04-70	Ростов-на-Дону (863)308-18-15	Тверь (4822)63-31-35
Астрахань (8512)99-46-04	Казань (843)206-01-48	Мурманск (8152)59-64-93	Рязань (4912)46-61-64	Томск (3822)98-41-53
Барнаул (3852)73-04-60	Калининград (4012)72-03-81	Набережные Челны (8552)20-53-41	Самара (846)206-03-16	Тула (4872)74-02-29
Белгород (4722)40-23-64	Калуга (4842)92-23-67	Нижний Новгород (831)429-08-12	Санкт-Петербург (812)309-46-40	Тюмень (3452)66-21-18
Брянск (4832)59-03-52	Кемерово (3842)65-04-62	Новокузнецк (3843)20-46-81	Саратов (845)249-38-78	Ульяновск (8422)24-23-59
Владивосток (423)249-28-31	Киров (8332)68-02-04	Новосибирск (383)227-86-73	Севастополь (8692)22-31-93	Уфа (347)229-48-12
Волгоград (844)278-03-48	Краснодар (861)203-40-90	Омск (3812)21-46-40	Симферополь (3652)67-13-56	Хабаровск (4212)92-98-04
Вологда (8172)26-41-59	Красноярск (391)204-63-61	Орел (4862)44-53-42	Смоленск (4812)29-41-54	Челябинск (351)202-03-61
Воронеж (473)204-51-73	Курск (4712)77-13-04	Оренбург (3532)37-68-04	Сочи (862)225-72-31	Череповец (8202)49-02-64
Екатеринбург (343)384-55-89	Липецк (4742)52-20-81	Пенза (8412)22-31-16	Ставрополь (8652)20-65-13	Ярославль (4852)69-52-93
Иваново (4932)77-34-06	Киргизия (996)312-96-26-47	Казахстан (772)734-952-31	Таджикистан (992)427-82-92-69	

Единый адрес для всех регионов: fst@nt-rt.ru || www.fujitsu.nt-rt.ru

24V DRIVE, 2-COLOR THERMAL PRINTER

2" TYPE MECHANISM

FTP-622MCL101/102

■ OVERVIEW

New 2-color printer (blue/black or red/black) joins FTP-602 Series. The series consists of 24V battery drive compact thermal printers which can print at high speed.

This series is suitable as built-in printer for a variety of applications, such as portable terminals, POS terminals, ticket machines, coupon machines, label printers, banking machines, measuring devices, medical equipment, etc.

■ HIGHLIGHTS

- **2 Color printing**

It can print 2 colors: blue/ black or red/black

- **High speed printing**

It can print at 100 mm/s (800 dotlines/s) by using Fujitsu Components' unique head drive control (at monochromatic printing).

Speed of 2-color printing:

- blue and red: 80 mm/s (460 dotlines/s) maximum
- monochromatic print: 40mm/s maximum

- **Auto Cutter**

Printer with auto cutter (full cut/ partial cut) is available.

- **Paper auto loading function**

Thermal paper can be loaded without head-up lever operation.

- **Easy head access**

It is designed for easy head cleaning and head replacement.

- **Two paper paths**

Front and bottom paper insertion is available.



FTP-622MCL101

■ PART NUMBERS

Name		Part Number
Printer Mechanism		FTP-622MCL101 (front paper insertion) FTP-622MCL102 (bottom paper insertion)
Printer Mechanism with Cutter		FTP-622MCL353 (front paper insertion) FTP-622MCL354 (bottom paper insertion)
Interface Board	Parallel	FTP-622DCL411*1
	Serial	FTP-622DSL438*2 (Gothic, Kanji)
LSI (MCU)		FTP-622CU201*3
Interface Cable	Parallel (Centronics)	FTP-441Y201
	Serial (RS-232C)	FTP-622Y301
Cable	Power	FTP-622Y401
	Head	FTP-622Y801 (FFC preassembled to mechanism)

*1: FTP-622DCL411 is ANK supported only

*2: FTP-622DSL438 has FLASH memory and can print high speed images

*3: Supports Kanji and parallel and serial interfaces

■ GENERAL SPECIFICATIONS

Item	Specifications
Part number	FTP-622MCL101/102/353/354
Printing method	Thermal-sensitive line dot method
Dot structure	432 dots/line
Dot pitch (Horizontal)	0.125 mm (8 dots/mm)—Dot density
Dot pitch (Vertical)	0.125 mm (8 dots/mm)—Line feed pitch
Effective printing area	54 mm
Number of columns	ANK 36 columns (12X24 dot font max.)
Paper width	58mm \pm ₁ ⁰ 60mm \pm ₁ ⁰
Paper thickness	60 to 100 μ m (there may be exceptions)
Printing speed	100mm/s (800 dotlines/s maximum at black-white image batch printing)
Character types	Alphanumeric KANA :159 International :195 JIS Kanji (Kanji CG loaded board) :approx. 6800
Character, dimensions(H×W), number of characters	12×24 dots,(1.5×3.0mm) 36 columns 24×24 dots,(3.0×3.0mm) 18 columns 8×16 dots,(1.0×2.0mm) 54 columns 16×16 dots,(2.0×2.0mm) 27 columns
Interface	Centronics / RS-232C standard

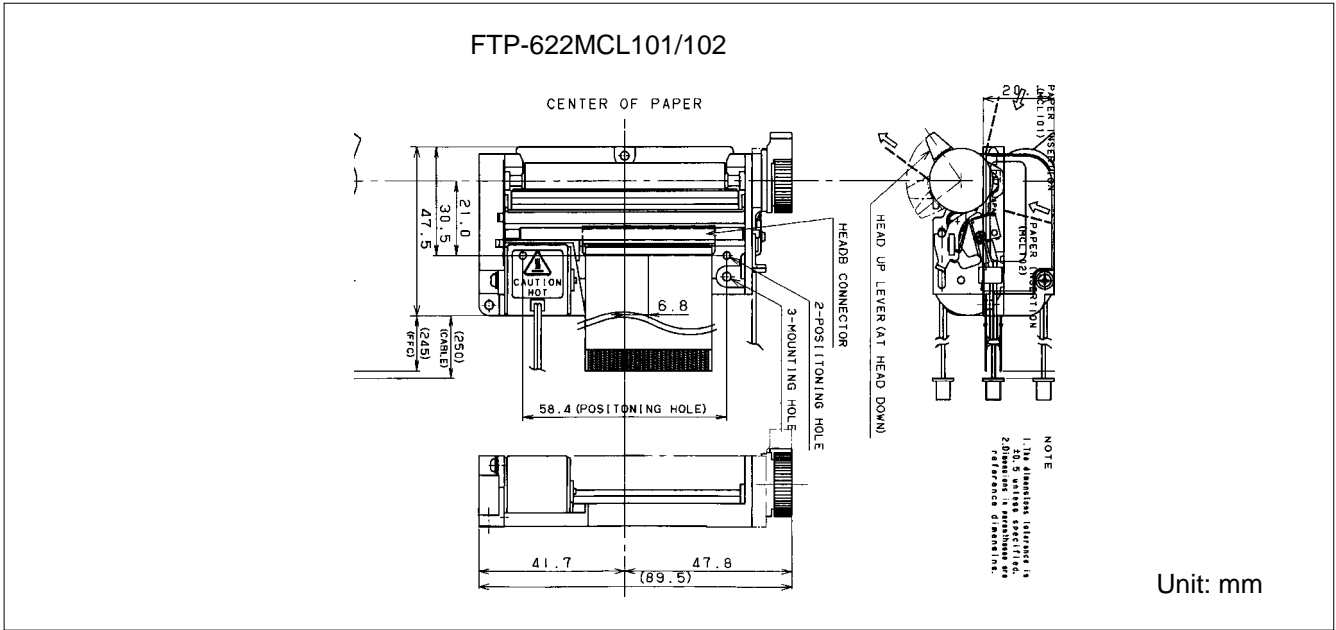
(Continued)

(Continued)

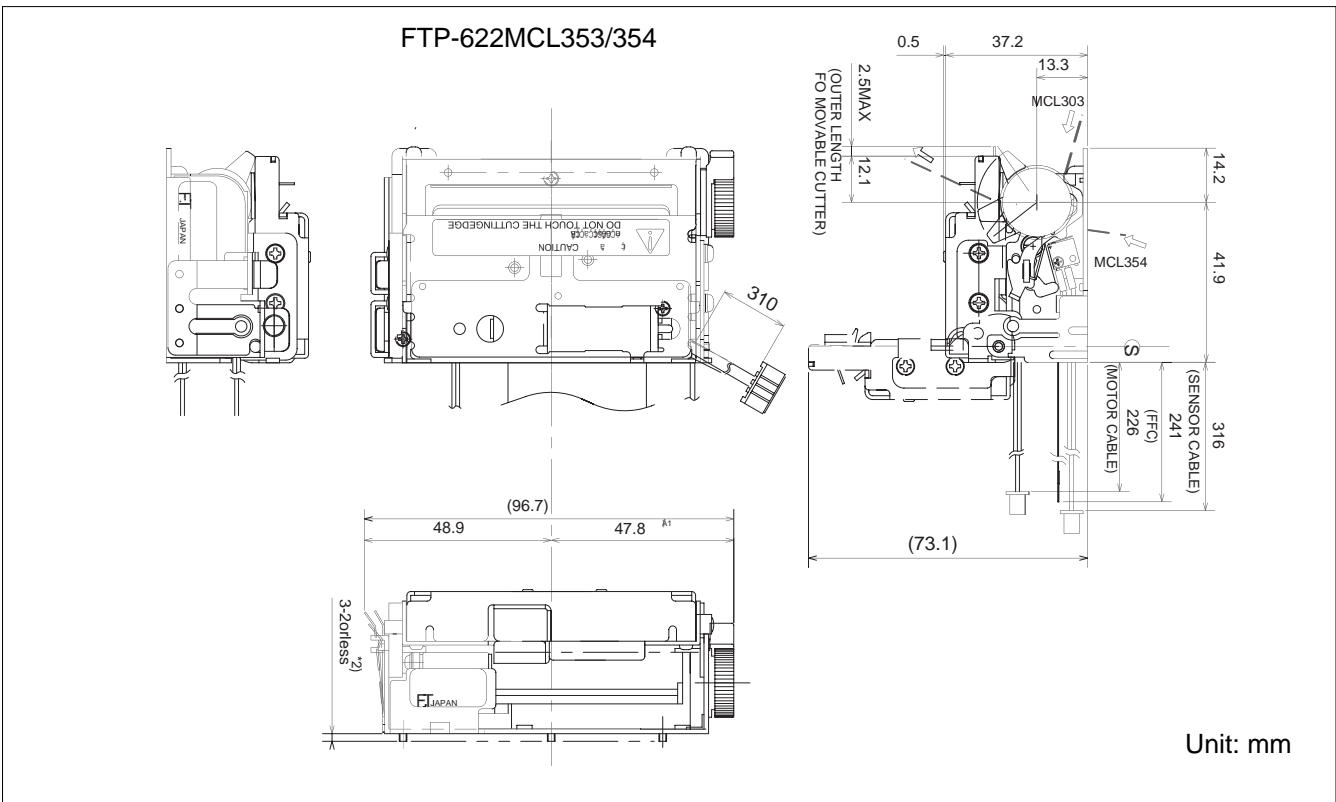
Item		Specifications	
Part number		FTP-622MCL101/102/353/354	
Power supply	For head	24 VDC \pm 5% 1.1 (1.7A) (24V Rav1500 Ω , 25% printing ratio)	
	For printer motor	24VDC \pm 5% 1A maximum	
	For cutter motor	24VDC \pm 5% 1A maximum	
	For logic	5VDC \pm 5% 0.5 A maximum	
Dimensions	Printer Mechanism	82 (W) \times 48 (D) \times 20 (H) mm	
	Mechanism with cutter	97 (W) \times 57 (D) \times 38(H) mm	
	Interface board	131 (W) \times 89 (D) \times 24 (H) mm	
Weight	Printer Mechanism	Approximately 81g	
	Mechanism with cutter	Approximately 280g	
Life	Head	Pulse durability: 1×10^8 pulse/dot (using Fujitsu Components' standard driving method) Wear resistance: 50 km (at 25% print ratio)	
	Cutter	3x10 ³ times minimum	5x10 ⁵ times minimum
Environmental conditions	Operating temperature	+5 to +40°C (Guarantee, but can operate between 0°C to +50°C)	
	Operating humidity	20 to 85% RH (no condensation)	
	Storage temperature	-20 to +60°C (excluding paper)	
	Storage humidity	5 to 95% RH (no condensation)	
Detection	Head temperature	By thermistor	
	Paper out/Mark detect	By photointerrupter	
	Head release	By slide switch	
Recommended thermal sensitive paper	2 color paper (blue/black) (red/black)	PB770 (Mitsubishi paper) PB670 (Mitsubishi paper)	
	High sensitivity paper	TF50KS-E4 (Nippon paper)	
	Standard paper	TF60KS-E (Nippon paper), FTP-020P0104 (58mm) PD150R (Oji paper), FTP-020P020P0701 (58mm)	
	Medium term paper	TP60KS-F1 (Nippon paper), FTP-020P0102(58mm) PD170R (Oji paper) P220VBB-1 (Mitsubishi paper) PD160R-N (Oji paper)	
	Long term paper	AFP-235 (Mitsubishi paper) TP50KJ-R (Nippon paper) HA220AA (Nippon paper)	

DIMENSIONS

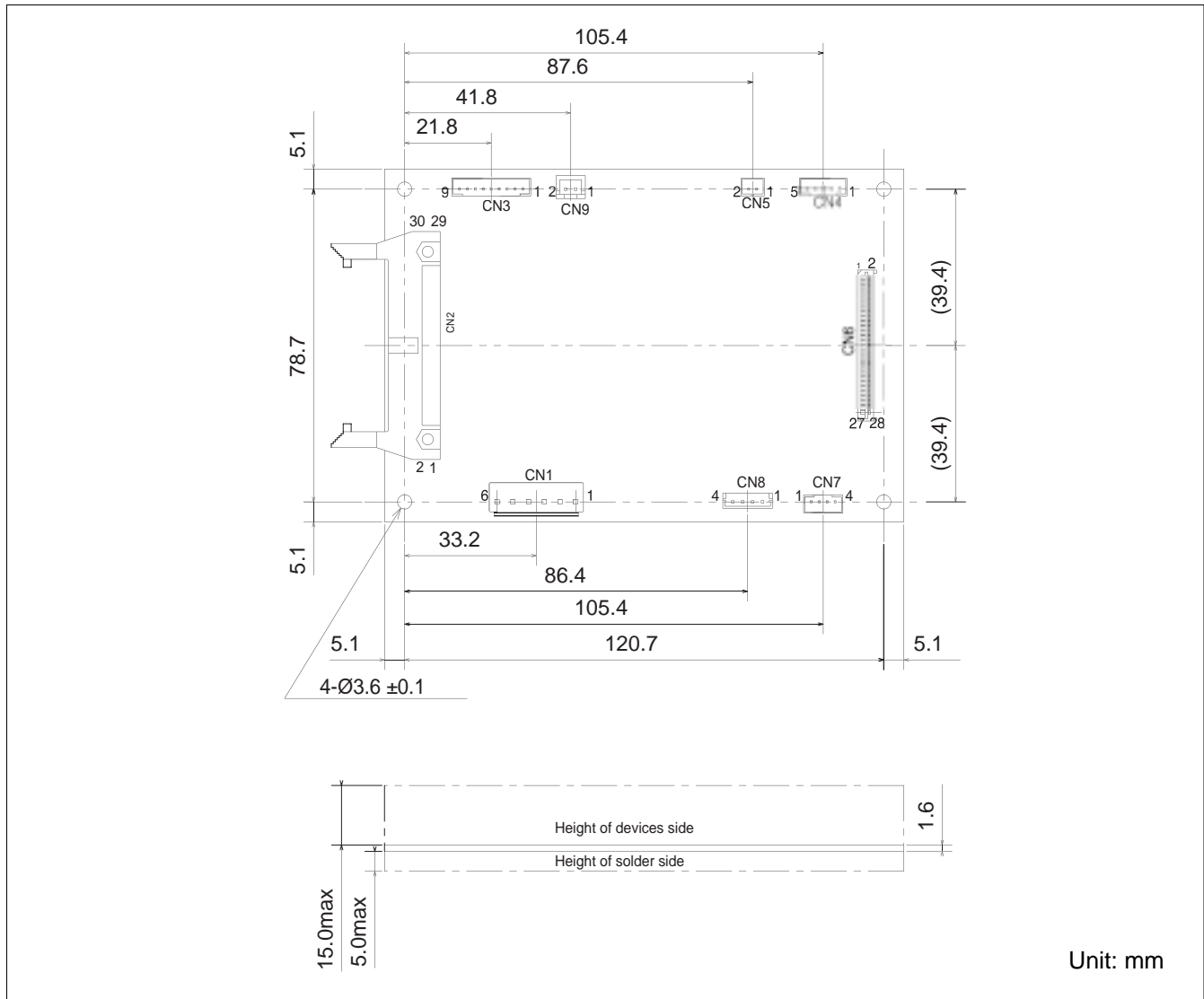
1. Printer mechanism



2. Printer mechanism with cutter



Interface board



- | | | | | |
|------------------------------------|-----------------------------------|--|---------------------------------------|---------------------------------|
| Архангельск (8182)63-90-72 | Ижевск (3412)26-03-58 | Магнитогорск (3519)55-03-13 | Пермь (342)205-81-47 | Сургут (3462)77-98-35 |
| Астана (7172)727-132 | Иркутск (395)279-98-46 | Москва (495)268-04-70 | Ростов-на-Дону (863)308-18-15 | Тверь (4822)63-31-35 |
| Астрахань (8512)99-46-04 | Казань (843)206-01-48 | Мурманск (8152)59-64-93 | Рязань (4912)46-61-64 | Томск (3822)98-41-53 |
| Барнаул (3852)73-04-60 | Калининград (4012)72-03-81 | Набережные Челны (8552)20-53-41 | Самара (846)206-03-16 | Тула (4872)74-02-29 |
| Белгород (4722)40-23-64 | Калуга (4842)92-23-67 | Нижний Новгород (831)429-08-12 | Санкт-Петербург (812)309-46-40 | Тюмень (3452)66-21-18 |
| Брянск (4832)59-03-52 | Кемерово (3842)65-04-62 | Новокузнецк (3843)20-46-81 | Саратов (845)249-38-78 | Ульяновск (8422)24-23-59 |
| Владивосток (423)249-28-31 | Киров (8332)68-02-04 | Новосибирск (383)227-86-73 | Севастополь (8692)22-31-93 | Уфа (347)229-48-12 |
| Волгоград (844)278-03-48 | Краснодар (861)203-40-90 | Омск (3812)21-46-40 | Симферополь (3652)67-13-56 | Хабаровск (4212)92-98-04 |
| Вологда (8172)26-41-59 | Красноярск (391)204-63-61 | Орел (4862)44-53-42 | Смоленск (4812)29-41-54 | Челябинск (351)202-03-61 |
| Воронеж (473)204-51-73 | Курск (4712)77-13-04 | Оренбург (3532)37-68-04 | Сочи (862)225-72-31 | Череповец (8202)49-02-64 |
| Екатеринбург (343)384-55-89 | Липецк (4742)52-20-81 | Пенза (8412)22-31-16 | Ставрополь (8652)20-65-13 | Ярославль (4852)69-52-93 |
| Иваново (4932)77-34-06 | Киргизия (996)312-96-26-47 | Казахстан (772)734-952-31 | Таджикистан (992)427-82-92-69 | |