



Киоск-принтеры 2-дюймовые FTP-627USL401/402 Технические характеристики

| | | | | |
|------------------------------------|-----------------------------------|--|---------------------------------------|---------------------------------|
| Архангельск (8182)63-90-72 | Ижевск (3412)26-03-58 | Магнитогорск (3519)55-03-13 | Пермь (342)205-81-47 | Сургут (3462)77-98-35 |
| Астана (7172)727-132 | Иркутск (395)279-98-46 | Москва (495)268-04-70 | Ростов-на-Дону (863)308-18-15 | Тверь (4822)63-31-35 |
| Астрахань (8512)99-46-04 | Казань (843)206-01-48 | Мурманск (8152)59-64-93 | Рязань (4912)46-61-64 | Томск (3822)98-41-53 |
| Барнаул (3852)73-04-60 | Калининград (4012)72-03-81 | Набережные Челны (8552)20-53-41 | Самара (846)206-03-16 | Тула (4872)74-02-29 |
| Белгород (4722)40-23-64 | Калуга (4842)92-23-67 | Нижний Новгород (831)429-08-12 | Санкт-Петербург (812)309-46-40 | Тюмень (3452)66-21-18 |
| Брянск (4832)59-03-52 | Кемерово (3842)65-04-62 | Новокузнецк (3843)20-46-81 | Саратов (845)249-38-78 | Ульяновск (8422)24-23-59 |
| Владивосток (423)249-28-31 | Киров (8332)68-02-04 | Новосибирск (383)227-86-73 | Севастополь (8692)22-31-93 | Уфа (347)229-48-12 |
| Волгоград (844)278-03-48 | Краснодар (861)203-40-90 | Омск (3812)21-46-40 | Симферополь (3652)67-13-56 | Хабаровск (4212)92-98-04 |
| Вологда (8172)26-41-59 | Красноярск (391)204-63-61 | Орел (4862)44-53-42 | Смоленск (4812)29-41-54 | Челябинск (351)202-03-61 |
| Воронеж (473)204-51-73 | Курск (4712)77-13-04 | Оренбург (3532)37-68-04 | Сочи (862)225-72-31 | Череповец (8202)49-02-64 |
| Екатеринбург (343)384-55-89 | Липецк (4742)52-20-81 | Пенза (8412)22-31-16 | Ставрополь (8652)20-65-13 | Ярославль (4852)69-52-93 |
| Иваново (4932)77-34-06 | Киргизия (996)312-96-26-47 | Казахстан (772)734-952-31 | Таджикистан (992)427-82-92-69 | |

Единый адрес для всех регионов: fst@nt-rt.ru || www.fujitsu.nt-rt.ru

24V DRIVE, RECEIPT PRINTER MICRO UNIT 2" HIGH SPEED THERMAL PRINTER

FTP-627USL401/402

■ OVERVIEW

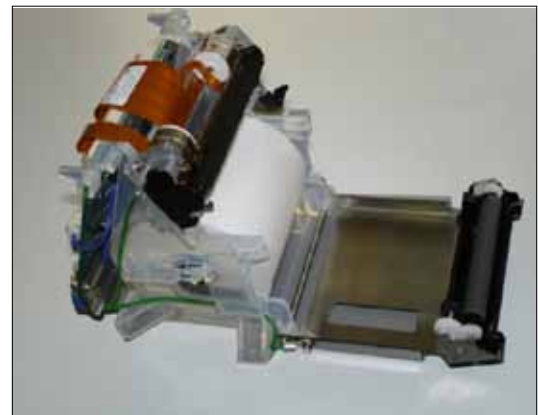
The FTP-627 USL Series are 24V driven high-speed printers with a ultra low profile auto cutter and long life.
The FTP-627 USL Series can be used for a variety of applications, such as POS terminals, ticket vending machines, label printers, banking terminals, and measurement and medical equipment.

■ HIGHLIGHTS

- **Ultra low profile**
Height 108 mm, width 100 mm, depth 94 mm
- **High speed printing**
It can print at 100 mm/s (800 dotlines/s) maximum by using Fujitsu's unique head drive control.
- Windows® 2000/XP, Linux and OPOS drivers
- **Auto Cutter**
Long life and high reliable guillotine with dedicated motor.
- **Easy paper loading**
Our lever platen release mechanism allows a wide paper route, so 60 mm diameter paper can be easily inserted.
- **Multifunctional die-cast frame**
Wide operating temperature range, long continuous printing, high ESD absorption and discharge of static electricity vibration and shock resistant.
- **Barcodes**
Prints standard, extended and 2-D types
- **RoHS compliant**



FTP-627USL401 platen/cutter closed



FTP-627USL401 platen/cutter open

■ PART NUMBERS

| | | Part Number | Power |
|---|-----------------|----------------------------------|----------|
| Printer mechanism with cutter and board | | FTP-627USL401 (USB interface) | 5V / 24V |
| | | FTP-627USL402 (Serial interface) | 5V / 24V |
| | | FTP-627USL410 (USB/Serial) | 24V only |
| | | | Length |
| Interface cables | Serial (RS-232) | FTP-628Y302 | 500mm |
| | USB (V.1.1) | FTP-629Y301 | 600mm |
| Power cables | Logic | FTP-629Y401 | 300mm |
| | Head, motor | FTP-629Y601 | 300mm |

* Interface board is the : FTP-627DSL601 (Serial/ USB), FTP-627DSL603 (USB), FTP-627DSL605 (Serial)

■ SPECIFICATIONS

| Item | Specifications | |
|--|---|---|
| Part number | FTP-627USL401/402 | |
| Printing method | Thermal-line dot method | |
| Dot structure | 432 dots/line | |
| Dot pitch (Horizontal) | 0.125 mm (8 dots/mm)—Dot density | |
| Dot pitch (Vertical) | 0.125 mm (8 dots/mm)—Line feed pitch | |
| Effective printing area | 54 mm | |
| Number of columns | ANK 36 columns/line (maximum 12 x 24 dot font) | |
| Paper width | 58 mm | |
| Paper diameter | 60 mm | |
| Paper thickness | 60 to 90 μ m (some paper in this range may not be used because of paper characteristics) | |
| Printing Speed | Maximum 100mm/sec. (800 dot line/sec.) at 24V, 25°C | |
| Character types | Alphanumeric, kana: 159 types International characters: 195 types JIS Kanji (Kanji CG loaded board): about 6800 types | |
| Character, dimensions (W×H), number of columns | 12 × 24 dots, (1.5 × 3.0 mm), 36 columns: ANK 24 × 24 dots, (3.0 × 3.0 mm), 18 columns: ANK 8 × 16 dots, (1.0 × 2.0 mm), 54 columns: ANK 16 × 16 dots, (2.0 × 2.0 mm), 27 columns: ANK | |
| Barcodes | Standard | UPC-A, UPC-E, JAN (EAN) 13, JAN (EAN) 8, Code 39, 1TF CODABAR |
| | Extended | CODE128 |
| | 2-D | QR, Maxi , PDF417 |
| Printing mode | Page mode, line mode | |

■ SPECIFICATIONS

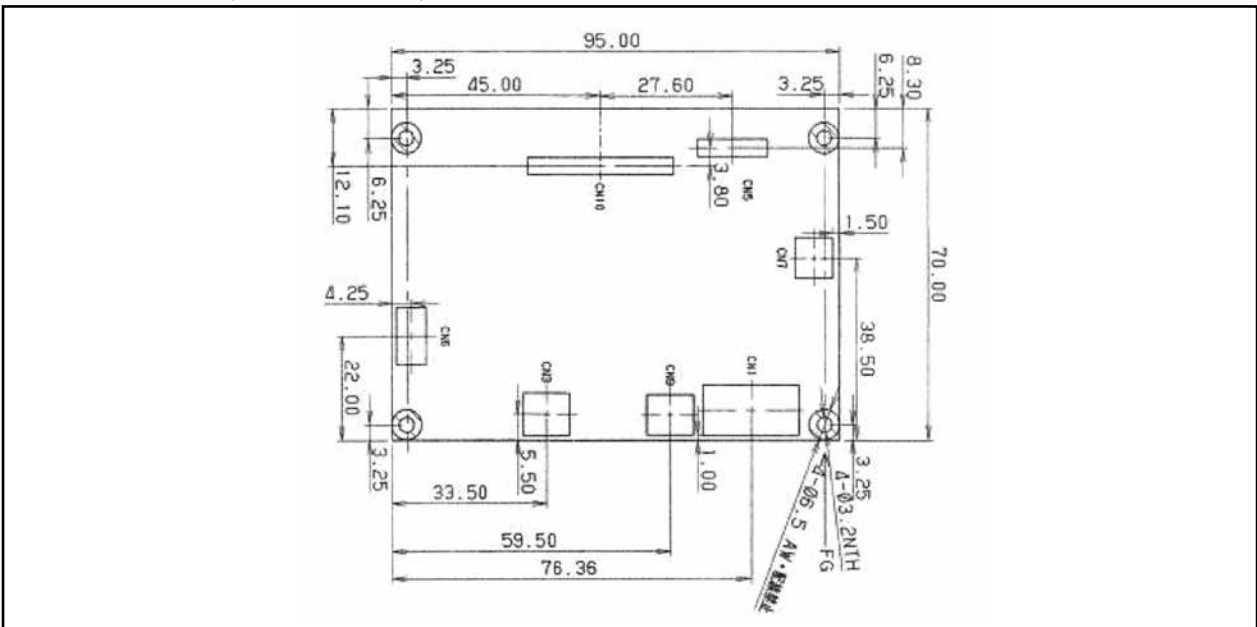
| Item | | Specification | |
|-------------------------------------|----------------------------|---|---|
| Interface | | Conforms to USB/Serial | |
| Power supply | For print head | 24 VDC average current, 0.5A (0.9A peak) (print ratio: 12.5%, print speed 100mm/sec.) | |
| | For motor | 24 VDC \pm 5%, 0.9 A maximum | |
| | For cutter | 24 VDC \pm 5%, 1.1 A maximum | |
| | For logic | 4.75 to 5.25VDC, 0.2 A maximum | |
| Dimensions | Mechanism and board | 100 x 94 x 108 mm (WxDxH) | |
| Weight | Mechanism and board | Approximately 310g | |
| Life | Head | Pulse durability: 50 million pulses/dot (under our standard conditions); Abrasion resistance: paper traveling distance 50km (print ratio: 12.5% or less). | |
| | Cutter | 500,000 cuts (20 cuts/minute) | |
| | Platen | 5,000 (open/close) | |
| MTBF | Mechanism | 3,000 hours | |
| | Circuit board | 500,000 hours | |
| Operating environment | Operating temperature* | 0°C to +50°C | |
| | Operating humidity | 20 to 85% RH (no condensation) | |
| | Storage temperature | -20°C to +60°C (paper not included) | |
| | Storage humidity | 5 to 95% RH (no condensation) | |
| Detection function | Head temperature detection | Detected by thermistor | |
| | Paper out/mark detection | Detected by photo-interruptor | |
| | Platen release | Detected by sliding switch | |
| Recommended thermal sensitive paper | | High sensitive paper | TF50KS-E4 (Nippon paper) |
| | | Standard paper | TF60KS-E (Nippon paper), FTP-020PU001 (58mm) PD105R (Oji paper) FTP-020P0701 (58mm) |
| | | Medium life paper | TF60KS-F1 (Nippon paper) FTP-020P0102 (58mm) PD170R (Oji paper) P220VBB-1 (Mitsubishi paper) |
| | | Long life paper | PD160R (Oji paper) AFP-235 (Mitsubishi paper) TP50KJ-R (Nippon paper) HA220AA (Nippon paper) |

*+5°C to +40°C printing density assurance range.

■ FUNCTION OF INTERFACE BOARD

| Item | Item |
|---|---|
| 1. Test print function | 8. Cutter trouble detect |
| 2. Paper out detection | 9. Motor power saving function |
| 3. Paper near end detection | 10. Mark detection function |
| 4. Platen open detection | 11. MCU operation abnormality detection |
| 5. Thermal head temperature abnormality detection | 12. Power ON/OFF sequence protection |
| 6. Blow-out fuse detection | 13. Motor over-current protection |
| 7. Head voltage abnormality detection | 14. Hardware timer |

■ INTERFACE, COMMAND, OPTIONS



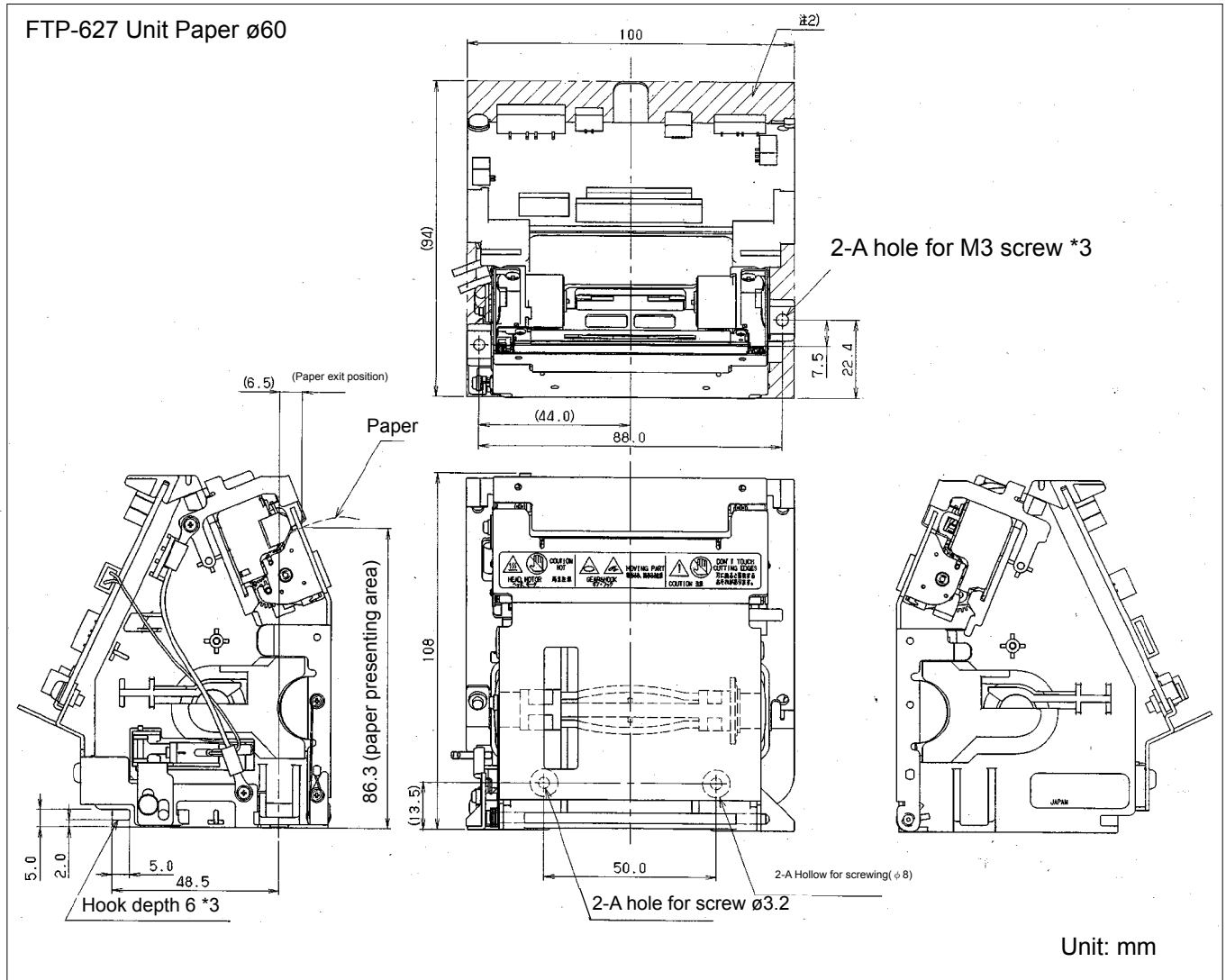
Connectors on Control Board

| | Name | Functions | Remarks | Note |
|------|-----------------------------|--|----------------|------|
| CN1 | +24V power supply connector | Connection for +24V power supply | | |
| CN2 | RS-232C | Connection for serial interface | | *2 |
| CN3 | USB I/F connector | Connection for USB interface | | *2 |
| CN4 | - | - | | |
| CN5 | Cutter connector | Connection for paper cutter | | |
| CN6 | Operation panel connector | Connection for operation panel | | *1 |
| CN7 | Near end sensor connector | Connection for near end switch | | |
| CN8 | - | - | | |
| CN9 | Logic power connector | Connection for +5V power Supply | | *1 |
| CN10 | Head/motor connector | Connection for thermal head & paper feed motor | 2-inch, 24 pin | |

Note: *1: Option
*2: Depends on P/N

■ DIMENSIONS

1. Printer mechanism



- Note: 1. The cable size and FPC are not included in this drawing.
 2. Do not mount anything in the shaded area except the printer.
 3. Connect to the body with 2 screws at 2 hooks.

| | | | | |
|-----------------------------|----------------------------|---------------------------------|--------------------------------|--------------------------|
| Архангельск (8182)63-90-72 | Ижевск (3412)26-03-58 | Магнитогорск (3519)55-03-13 | Пермь (342)205-81-47 | Сургут (3462)77-98-35 |
| Астана (7172)727-132 | Иркутск (395)279-98-46 | Москва (495)268-04-70 | Ростов-на-Дону (863)308-18-15 | Тверь (4822)63-31-35 |
| Астрахань (8512)99-46-04 | Казань (843)206-01-48 | Мурманск (8152)59-64-93 | Рязань (4912)46-61-64 | Томск (3822)98-41-53 |
| Барнаул (3852)73-04-60 | Калининград (4012)72-03-81 | Набережные Челны (8552)20-53-41 | Самара (846)206-03-16 | Тула (4872)74-02-29 |
| Белгород (4722)40-23-64 | Калуга (4842)92-23-67 | Нижний Новгород (831)429-08-12 | Санкт-Петербург (812)309-46-40 | Тюмень (3452)66-21-18 |
| Брянск (4832)59-03-52 | Кемерово (3842)65-04-62 | Новокузнецк (3843)20-46-81 | Саратов (845)249-38-78 | Ульяновск (8422)24-23-59 |
| Владивосток (423)249-28-31 | Киров (8332)68-02-04 | Новосибирск (383)227-86-73 | Севастополь (8692)22-31-93 | Уфа (347)229-48-12 |
| Волгоград (844)278-03-48 | Краснодар (861)203-40-90 | Омск (3812)21-46-40 | Симферополь (3652)67-13-56 | Хабаровск (4212)92-98-04 |
| Вологда (8172)26-41-59 | Красноярск (391)204-63-61 | Орел (4862)44-53-42 | Смоленск (4812)29-41-54 | Челябинск (351)202-03-61 |
| Воронеж (473)204-51-73 | Курск (4712)77-13-04 | Оренбург (3532)37-68-04 | Сочи (862)225-72-31 | Череповец (8202)49-02-64 |
| Екатеринбург (343)384-55-89 | Липецк (4742)52-20-81 | Пенза (8412)22-31-16 | Ставрополь (8652)20-65-13 | Ярославль (4852)69-52-93 |
| Иваново (4932)77-34-06 | Киргизия (996)312-96-26-47 | Казахстан (772)734-952-31 | Таджикистан (992)427-82-92-69 | |